



## Technical Data Sheet

# *Beta 90*



*Beta 90* is the digital panel meter designed for industrial applications, which frequently require precise, on-site adjustment of the display range.

### Special Features

- Factory pre-set with many measuring ranges
- Measuring ranges selectable using jumpers
- Zero point and final value adjustable (inc. 4... 20 mA)
- 230 V AC power supply option
- Overall depth only 72 mm

## Application

**Beta 90** The digital panel meter is designed for industrial applications, which frequently require precise, on-site adjustment of the display range. It can be used in industrial automation and for laboratory uses. It provides cost-effective solution for virtually all switchboard instruments.

## Description

The Beta 90 (24 x 96) are digital panel instruments for measurement of DC current and DC voltage with 9 measuring ranges. 3 ranges for power supply are available.

The measuring ranges and zero point, selectable using jumpers at the back. The choice of many factory pre-set measuring ranges is included, with user adjustments available for the zero and full-scale values.

## Technical Specifications

Display	
Display range	1999
Decimal point position	selectable by rear jumper position
Negative display indication	"_"
Digit height	14 mm / 7-segment digits
Overload indication	Last 3 digits blank
Setting time	< 1s (0...99%)

Measuring ranges	
Direct voltage	0 ... 0.2 V
(Input current < 300 mA)	0 ... 1 V 0 ... 5 V 0 ... 25 V 0 ... 100 V 0 ... 300 V
Direct current	0 ... 1 mA
(Voltage drop < 600 mV)	0 ... 20 mA 0 ... 200 mA
Range adjustment span	from 20% to 100% of
Zero offset [suppression]	range up to -1000
Accuracy	< 0.2 % + 1 digit
Temperature coefficient	100 ppm/°C, plus
Zero point drift	100 ppm/°C

Options	
Option	Brightness adjustment
	Zero point adjustment
	HOLD input

Digital input	
HOLD [option]	"0"

Power supply	
Direct voltage DC	21 ... 30 V + 15% 4 W approx.
Alternating voltage AC	230V + 10 % -15 % 1.3 W approx.

Ambient conditions	
Operating temperature	0°C to 50°C
Storage temperature	-40 °C to 80 °C

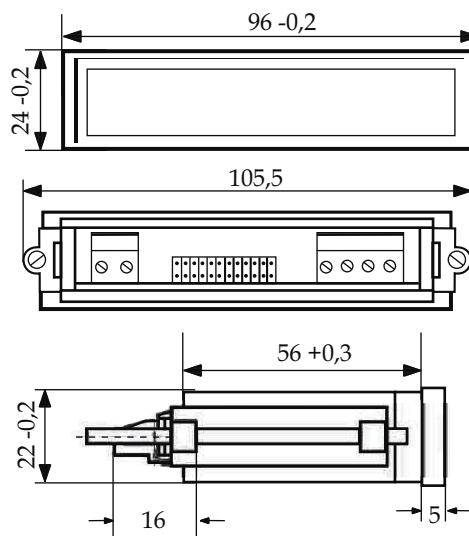
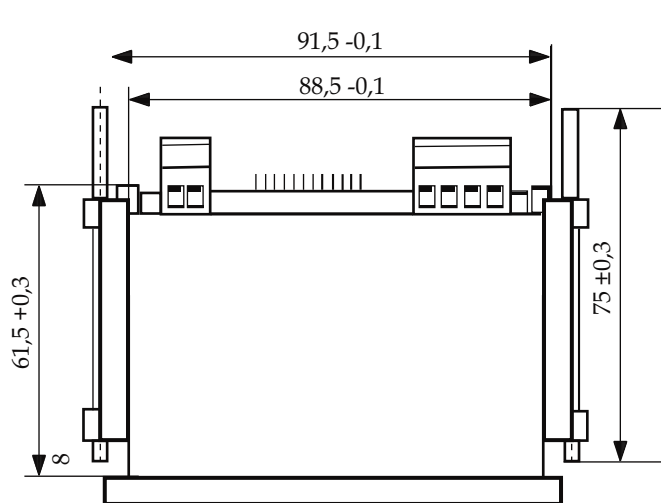
Dimensions & Bezel size	
96mm x 24 mm	DIN 43 718

Weights	
Panel cut-out	92 +0.8 mm x 22.2 +0.8
Overall depth	0.3 mm 72 mm
Weight	210 g. Approx. [5V DC version 90 g]

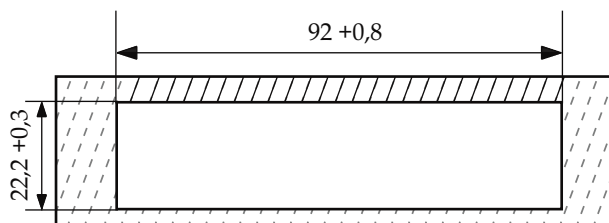
Sundry	
Connections	plug-in screw terminal block

Applicable Regulations and Standards	
Protection class	IP 20 to IEC EN 60 529
front	IP 54 (IP 65 on request)
Climatic class	Class 2 VDE/DIN 3540
Safety class	II to IEC 348 / VDE 0411
Device safety	to IEC EN 61 010
EMC immunity	DIN EN 61 000-4-1 to 4
EMC radiated interference	DIN EN 50 081 class B

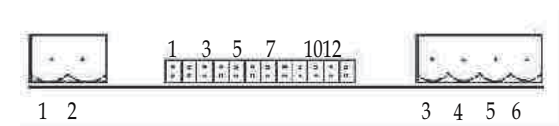
## Design and installation



## Panel cut-out



## Connections



Power supply    Measuring ranges    Decimal point    Measuring input

## Ordering Information

Product Code	BT90-	X	X	XX	X	X	X	00000
Size	24X96	C						
Meter Type	Beta 90		3					
Input Range	0-1mA			05				
	0-20mA			02				
	0-200mA			03				
	0-2V			1A				
	0-5V			1G				
	0-25V			1H				
	0-100V			1J				
	0-300V			1K				
Power Supply	24D				9			
	230A				6			
IP Protection	W/O IP Protection					0		
	With IP Protection					1		
Display Module	NORMAL DISPLAY						0	
	-/+ DISPLAY						1	



**Manufactured by:**  
Sifam Tinsley Instrumentation Inc  
3105 Creekside Village Dr,  
Unit 801, Kennesaw GA 30144

**Distributed by:**  
Veracious Canada Inc  
1101 Britannia Rd E,  
Mississauga, ON L4W 3X1  
**Contact:** +1 416-640-5364  
**Fax:** +1 416-981-3933  
**E-mail:** info@veraciousinc.ca  
**Web:** www.veraciousinc.com