

ANALOGUE PANEL METER : SiDSL / SiDGL



Operating Manual

For Analogue Panel Meter type SiDSL / SiDGL.

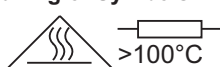
1.0 General :

This meter complies with International standard IEC 1010-1 Amendment 2 for safety and is conforming to routine test as per IEC 60051-1. The test equipment used is traceable to National/International standards.

Test Certificate :

This meter is found to be confirming to routine Test as per IEC 60051-1. The test Equipment used is traceable to National standards.

2.0 Meaning of Symbols :



>100°C

Caution! hot surface.



EU conformity mark

3.0 Safety specifications (IEC1010) :

- * Indoor use
- * Altitude up to 2000m
- * Temp. -10 to +55°C
- * Maximum relative humidity 80% for temperature up to 31°C decreasing linearly to 50% relative humidity at 40°C
- * Basic Insulation
- * Pollution degree 2
- * Installation Categories (over voltage category) : Size 48,72, 96 - 300V CAT III

4.0 Equipment Installation :

- * Due consideration should be given to space behind the meter to allow for bends in connecting cables.
- * Ensure that wires do not remain under tension.
- * The product do not have internal protection against overload & short circuit. Hence external safety protection should be provided. It is recommended to install protective device near equipment.
- * SiDSL meter millivolts ranges : Please use lead wires having total resistance of 35 milliohms or less.

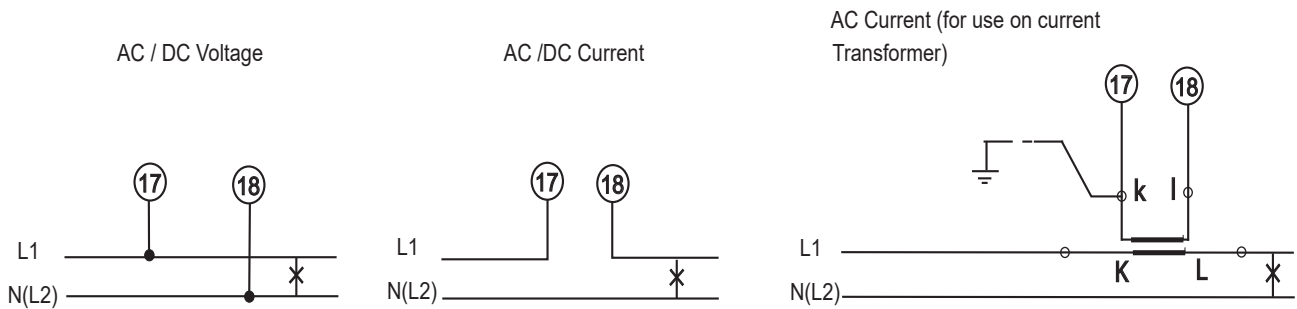
5.0 Operation & Maintenance :

- * Equipment must be installed & maintained by authorised, qualified & trained person.
- * If equipment is used in a manner not specified by the manufacturer, the protection provided by the equipment may be impaired.
- * CTs must not be opened when on load
- * Instrument with damaged bezels or glasses must be disconnected from mains.
- * Back cover must be snapped into place for protection against accidental contact/shock.
- * Disconnect supply before replacing scales, bezels or glasses.
- * There are no user serviceable parts in this product. Please contact at the address given, for clarification, if any.

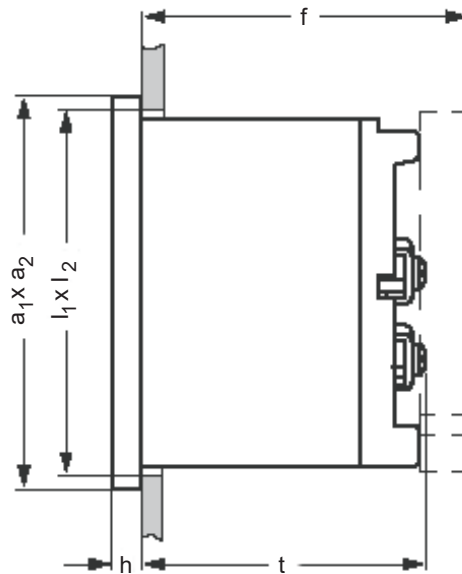
6.0 Equipment Rating :

As per information on sticker and Dial of the instrument.

Connections:



Dimensions



Front in mm	Nominal Dimensions, mm		Cutout, mm $l_1 \times l_2$	Installation Depth Including Terminal (t), mm			Installation Depth Incl. Full Cover (f), mm		
	$a_1 \times a_2$	h		≤ 4A (M4)	5...60A (M6)	60...100A(M8)	≤ 4A	5...60A	60...100A
48 x 48	48 x 48	5.5	$45^{+0.6} \times 45^{+0.6}$	54	-	-	-	-	-
72 x 72	72 x 72	5.5	$68^{+0.7} \times 68^{+0.7}$	54	67	67	62.5	70	70
96 x 96	96 x 96	5.5	$92^{+0.8} \times 92^{+0.8}$	54	67	67	62.5	70	70

Subject to change without notice!

2-60-006-00-00576_Rev. A_01/2015



Manufactured by:
Sifam Tinsley Instrumentation Inc
3105 Creekside Village Dr,
Unit 801, Kennesaw GA 30144

Distributed by:
Veracious Canada Inc
1101 Britannia Rd E,
Mississauga, ON L4W 3X1

Contact: +1 416-640-5364

Fax: +1 416-981-3933

E-mail: info@veraciousinc.ca

Web: www.veraciousinc.com