

ANALOGUE PANEL METER : SiDS21



Operating Manual

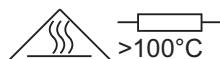
For Analogue Panel Meter type SiDS21.

1.0 General :

This meter complies with International standard IEC 1010-1 for safety and is conforming to routine test as per IEC 60051-1. The test equipment used is traceable to National/International standards.

This product must be used after mounting in panel with hardware supplied, with wires permanently connected to terminal as specified.

2.0 Meaning of Symbols :



>100°C

Caution! hot surface.



EU conformity mark

3.0 Safety specifications (IEC1010) :

- * Indoor use
- * Altitude up to 2000m
- * Temp. -10 to +55°C
- * Maximum relative humidity 80% for temperature up to 31°C decreasing linearly to 50% relative humidity at 40°C
- * Basic Insulation
- * Pollution degree 2
- * Installation Categories (over voltage category) : Size 96 - 600V CAT III

4.0 Equipment Installation :

- * Due consideration should be given to space behind the meter to allow for bends in connecting cables.
- * Ensure that wires do not remain under tension.
- * The product do not have internal protection against overload & short circuit. Hence external safety protection should be provided. It is recommended to install protective device near equipment.
- * SiDS21 meter millivolts ranges : Please use lead wires having total resistance of 35 milliohms or less.

5.0 Operation & Maintenance :

- * Equipment must be installed & maintained by authorised, qualified & trained person.
- * If equipment is used in a manner not specified by the manufacturer, the protection provided by the equipment may be impaired.
- * Instrument with damaged bezels or glasses must be disconnected from mains.
- * Back cover must be snapped into place for protection against accidental contact/shock.
- * Disconnect supply before replacing scales, bezels or glasses.
- * There are no user serviceable parts in this product.
- * Instruments to be used in grounded panel.

6.0 Equipment Rating :

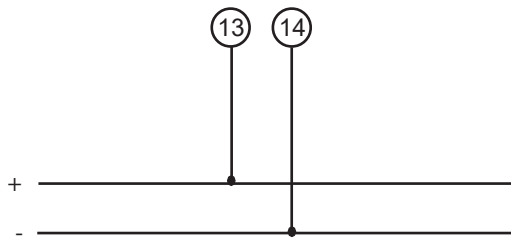
As per information on sticker and Dial of the instrument.

7.0 Burden :

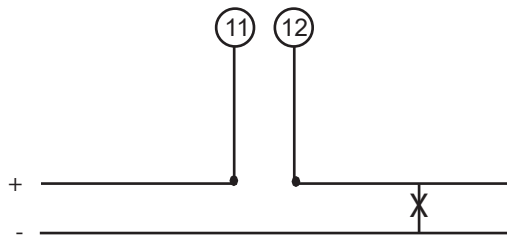
Connection to shunt	Power Consumption : 6 mA Lead resistance : 0.06 Ω	± 10%
1A ... 60 A	Voltage drop : 60 mV	± 10%
≥ 1V	1000 Ω/V	± 5%

Connections:

DC voltage

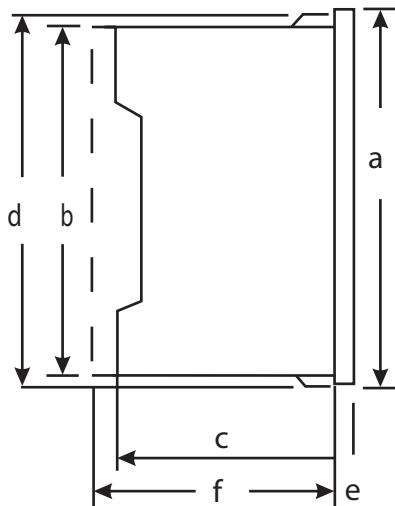


DC current

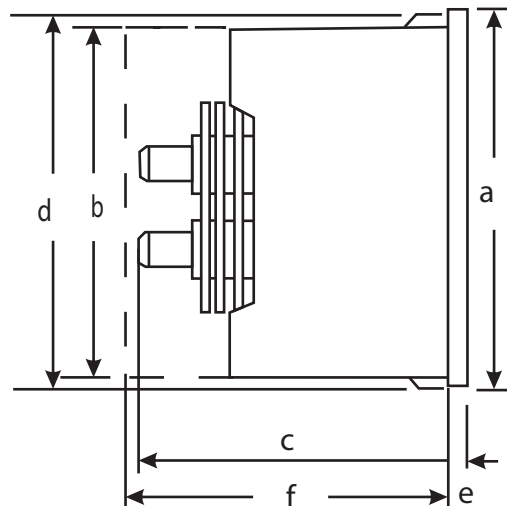


Dimensions

For Voltmeters & Ammeters < 5A



For Ammeters 5A - 60A



Dimensions
(in mm)

Bezel a	96
Case b	90
Depth c*	53
d	91.5
e	5.5
Cutout size	92 ^{+0.8}
Weight approx.	0.26 Kg

Depth with
back cover f ** 64

* c = 68 mm, for I = 6 to 30A

**f = 70 mm, for I = 6 to 30A

Subject to change without notice!

2-60-006-00-00594_Rev. A_02/2015



Manufactured by:
Sifam Tinsley Instrumentation Inc
3105 Creekside Village Dr,
Unit 801, Kennesaw GA 30144

Distributed by:
Veracious Canada Inc
1101 Britannia Rd E,
Mississauga, ON L4W 3X1
Contact: +1 416-640-5364
Fax: +1 416-981-3933
E-mail: info@veraciousinc.ca
Web: www.veraciousinc.com